

# POS

## PA-6970

### High Performance 15" POS Terminal

#### Features and Benefits:

- High Performance Intel® Core™ i3-2120 3.3GHz
- 15" True Flat Touch Screen
- Bezel Free Front Panel
- All-in-One Slim Panel PC
- Optional MSR / i-Button / Fingerprint / VFD / 2nd Display
- Optional integrated Wireless LAN / RFID
- Panel PC Wall-mountable VESA 100 x 100 Standard



#### Protech Systems Co., Ltd.

No. 24, Lane 365, Yang Goang Street, Nei Hu District Taipei 114, Taiwan  
TEL: +886-2-8751-1111 FAX: +886-2-8751-1199  
E-mail: sales@protech.com.tw  
http://www.protech.com.tw

#### Protech Technologies Inc.

950 Fee Ana St, Suite B Placentia, CA 92870  
TEL: +1-714-996-7200 FAX: +1-714-996-7300  
Sales: sales@protech-usa.net  
http://www.protech-usa.net

#### Protech Japan Co., Ltd.

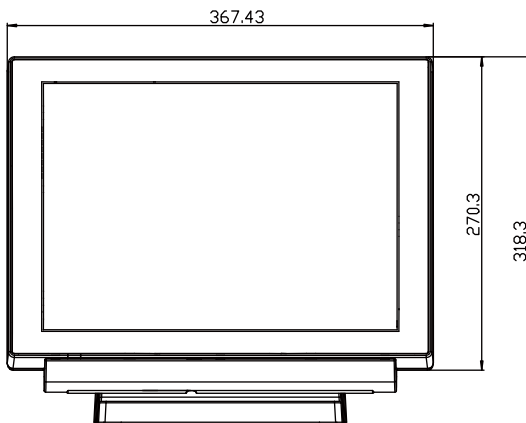
OSK Bldg, 6F, 6-25-14, Minami-ohi Shinagawa-ku, Tokyo, 140-0013  
TEL: +81-3-5753-8411 FAX: +81-3-3763-9282  
E-mail: sam@protech-j.com  
http://www.protech-j.com



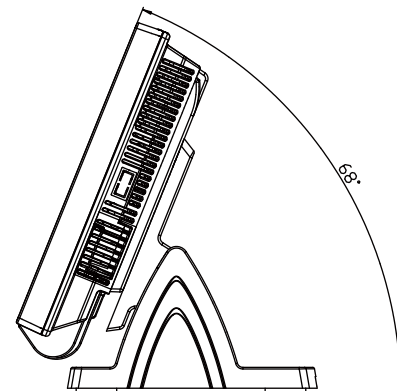
ISO CERTIFIED  
9001 14001

# PA-6970 High Performance 15" POS Terminal

Front View



Side View



Unit: mm

## Specification

System	
<b>CPU Support</b>	Intel® CPU series Core™ i3-2120 3.3 GHz, L2 Cache-3MB Pentium® G850 2.9GHz, L2 Cache-3MB Celeron® G540 2.4GHz, L2 Cache-2MB
<b>Memory</b>	1 x DDR3 SO-DIMM Slot (up to 4GB)
<b>Core Logic</b>	Intel® H61
<b>Network</b>	10/100/1000 Base-T Fast Ethernet
<b>Power Supply</b>	120 Watt power adaptor
<b>System Weight</b>	6.6 kg
<b>Dimension (W x H x D)</b>	367 x 318 x 259 mm
<b>O.S. Support</b>	POSReady 2009 / POSReady 7 / WES 2009 / WES 7 / Windows XP Pro / Windows 7

## Storage

<b>HDD</b>	1 x 2.5" SATA HDD
<b>SSD</b>	1 x Optional 2.5" SATA SSD

## I/O Ports

<b>USB</b>	4 x USB 2.0 ports / 1 x USB 2.0 on side bezel
<b>Serial Ports</b>	3 x DB-9 (COM 2/3/4), 1 x RJ45 (COM 1), +5V/12V selectable
<b>PS/2</b>	1 x PS/2 ports (default at keyboard)
<b>LAN</b>	1 x RJ-45
<b>VGA</b>	1 x DB-15 VGA interface
<b>Cash Drawer</b>	1 x RJ11 (+12V or +24V selectable)(default at +24V)
<b>Line out</b>	1 x phone jack

## Display

<b>LCD</b>	15" TFT LCD
<b>Max. Resolution</b>	1024 x 768
<b>Brightness</b>	250 cd/m <sup>2</sup>
<b>Touch Screen</b>	5-wire Analog resistive
<b>Tilt Angle</b>	0 ~ 68 degrees

## Environment

<b>EMC &amp; Safety</b>	CE / FCC
<b>Operating Temp.</b>	0 ~ 35° C
<b>Storage Temp.</b>	-20 ~ 60° C
<b>Humidity</b>	20 ~ 90%

## Ordering Information

<b>PA-6970RB-A1B</b>	15" 5-Wire True Flat Resistive Touch POS Terminal Barebone
<b>52-210-73100027</b>	Intel® Core™ i3-2120 Processor,3.3GHz,3MB Cache
<b>PA-6970RZ-22A</b>	DDR3 2GB Memory/ 320GB 2.5" HDD
<b>PA-6151RZ-41B</b>	Vacuum Fluorescent Display, 20 columns and 2 lines, each column is 5 x 7 dots
<b>PA-6970RZ-35B</b>	ID-TECH ISO Track1+2+3
<b>PA-6970RZ-43B</b>	10.4" 2nd display (resolution 800*600)
<b>PA-3100RZ-81A</b>	Mini PCIe Wireless LAN Module 802.11 b/g
<b>Color</b>	Black
<b>OS</b>	POSReady 2009 / POSReady 7 / Windows XP / Windows 7

All of trademarks and brand names are the property of their owners. Trademark "Protech" is the property of Protech Systems Co., Ltd. All information contained in this document is subject to change without any prior notice. This catalog is copyrighted in Jan. 2013.